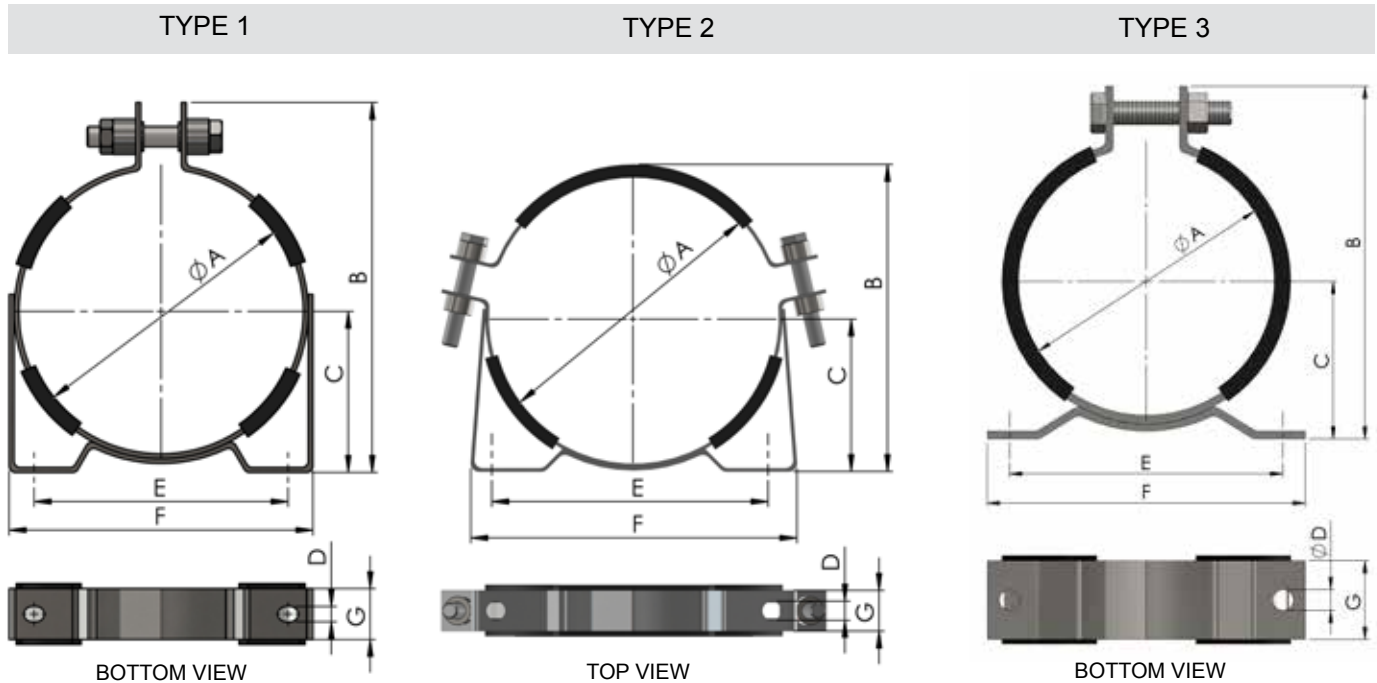


COLLARS

PISTON ACCUMULATORS - MOUNTING



MOUNTING COLLARS FOR PISTON ACCUMULATORS

DESCRIPTION	TYPE	PART NUMBER ZINC PLATED	PART NUMBER STAINLESS	DIMENSIONS (IN.)						
				A	B	C	D	E	F	G
2" Bore 6000 PSI Collar	3	AI-CLR-275	AI-CLR-275-SS	2.9	3.7	1.7	0.4	4.6	6.1	2.0
2.5" Bore 10000 PSI Collar	3	AI-CLR-400	AI-CLR-400-SS	4.3	5.1	2.4	0.4	4.6	6.1	2.0
3" Bore 3000 PSI Collar	1	AI-CLR-350	AI-CLR-350-SS	3.7	5.5	2.4	0.4	3.2	4.4	1.2
4" Bore 3000 PSI Collar	1	AI-1QT-511	AI-1QT-511-SS	4.7	6.7	3.0	0.4	3.9	5.4	1.2
4" Bore 6000 PSI Collar	1	AI-CLR-500	AI-CLR-500-SS	5.1	6.9	3.0	0.4	3.9	5.8	1.2
5.5" Bore 6000 and 7500 PSI Collar	2	AI-CLR-750	AI-CLR-750-SS	7.7	8.5	4.3	0.4	6.5	8.8	1.6
6" Bore 3000 PSI Collar	2	AI-CLR-650	AI-CLR-650-SS	6.7	7.5	3.8	0.4	5.8	8.1	1.6
7" Bore 6000 PSI Collar	2	AI-S-511	AI-S-511-SS	9.0	9.8	5.0	0.6	8.5	10.0	1.2
8" Bore 3000 PSI Collar	2	AI-S6-511	AI-S6-511-SS	9.6	10.3	5.2	0.6	9.0	11.2	1.6

Dimensions are nominal and may vary within manufacturing tolerances. For exact dimensions of our stock, please contact Acc Inc in advance of order.

Mounting collars are available in increments of 1/4" from 2" OD to 20" OD (AI-CLR-200 through AI-CLR-2000). Please contact us for more information.

Mounting collars are sold in kit form, including the appropriate adjustment bolts and rubber cushions. Mounting bolts are not included. Stainless collars are 300 series stainless.

These collars are mounting fasteners only and are not intended to support the entire weight of an accumulator. Contact us for specifications.