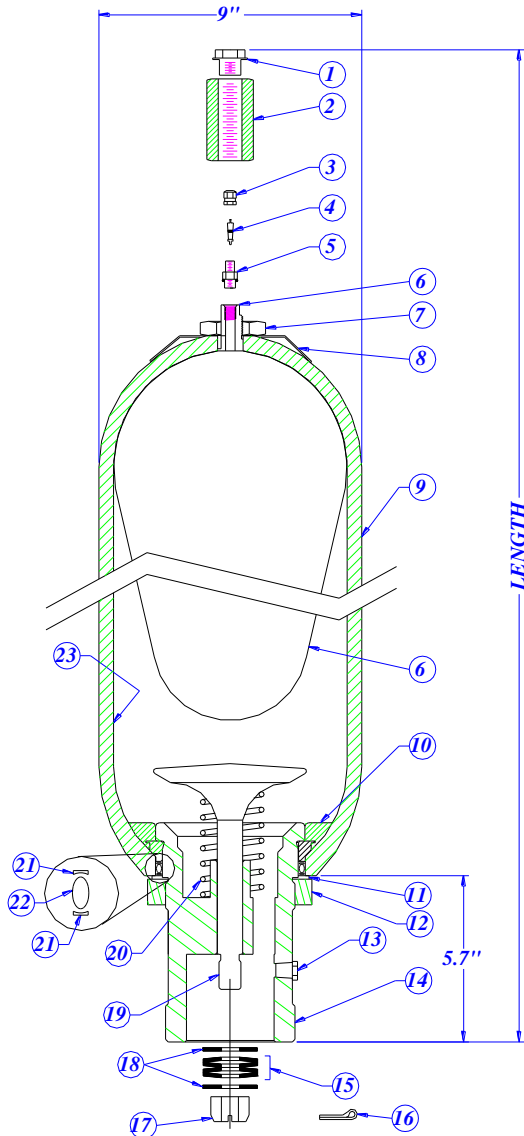


## 2.5-15 Gallon 3000 psi Bottom Repairable Hi-Flow Accumulators



List of Component Parts		Alternate Service <sup>1</sup>			
		Part Number (OS)	WS	SS	XS
1	Safety Cap	AI-S-308		N/A <sup>2</sup>	N/A <sup>2</sup>
1	Safety Cap O-Ring	AI-S-309		N/A <sup>2</sup>	N/A <sup>2</sup>
2	Protective Cap	AI-306	-SS	-4-SS	-4-SS
3	Valve Cap	AI-S-303			
4	Valve Core	AI-S-304			
5	GT Gas Valve	AI-GT3-309			
5	Gas Valve O-Ring	AI-GT3-311			
6	Bladder Kit <sup>3</sup>				
	Buna-Nitrile	AI-X-3KT		-SS	-SS
	Butyl	AI-X-3KT-B		-SS	-SS
	EPR	AI-X-3KT-E		-SS	-SS
	Fluorocarbon	AI-X-3KT-V		-SS	-SS
	Hydrin	AI-X-3KT-H		-SS	-SS
	Low Temp Buna	AI-X-3KT-L		-SS	-SS
7	Hex Jam Nut	AI-S-305	-SS	-SS	-SS
8	Name Plate	AI-S-413			
9	Caution Label	AI-S-421			
10	Anti-Extrusion Ring	AI-HF-407	-WS	-WS	-WS
11	Spacer	AI-HF-406	-WS	-SS	-SS
12	Locknut	AI-H-403	-WS	-SS	-SS
13	Bleed Plug 1/4" NPT	AI-S-418	-SS	-SS	-SS
14	Oil Port 4"-8 NPT Male				
	No Bleed Plug	AI-HF-402	-WS	-SS	-SS
	w/ Bleed Plug	AI-HF-402-9	-WS	-SS	-SS
	4 1/4" SAE	AI-HF-402-3	-WS	-SS	-SS
15	Belleville Washers, Qty 4	AI-H-416			
16	Cotter Pin	AI-H-421			
17	Castle Nut	AI-H-408			
18	Washers, Qty 2	AI-H-417			
19	Poppet	AI-H-404	-SS	-SS	-SS
20	Spring	AI-H-409	-SS	-SS	-SS
21	Teflon Back-Up Ring	AI-H-411			
22	O-Ring	AI-H-410			
23	Shell (3000 psi)	Not for Sale	N/A	N/A	N/A

### Standard Configuration

- SA 372 Chrome-moly Steel Shell
- 2 Piece Replaceable Gas Valve
- C-1018 and 4130 or 4140 Components
- 4" NPT Male Fluid Port, 4 1/4" SAE Male
- Buna-Nitrile Rubber Components

### Optional Configuration (at extra cost)

- AN Gas Valve
- Resin Coatings, Internal (WS)
- Electroless Nickel Plating, Internal & External (SS)
- Resin Coating – ID, 3 Part Marine Epoxy Paint – OD (XS)
- Stainless Steel Components
- Foreign and Domestic Codes
- Call Factory for Other Options

Dimensions <sup>4</sup>		
Part Number	Length	Weight
A2.5H3100	24"	78 lbs
A5H3100	36"	118 lbs
A10H3100	57"	214 lbs
A11H3100	63"	230 lbs
A15H3100	81"	296 lbs

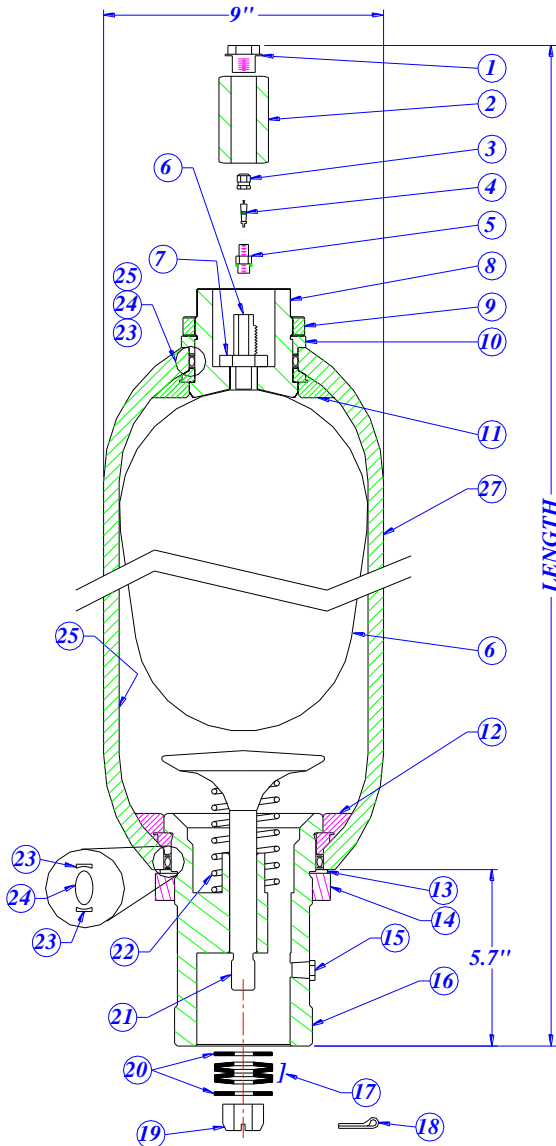
<sup>1</sup> OS-Oil Service, WS- Water Service, SS-Special Service, XS-Extreme Service

<sup>2</sup> Special service accumulator uses a solid protective cap

<sup>3</sup> Insert the size of the accumulator for X, i.e. AI-2.5-3KT for a 2.5 gallon bladder kit. Bladder kit consists of the following parts: 4,5,18,19,20

<sup>4</sup> Nominal dimensions. Manufacturing variations will occur. Allow +/- .2"

## 2.5-15 Gallon 3000 psi Top Repairable Hi-Flow Accumulators



List of Component Parts		Alternate Service <sup>1</sup>		
Description	Part Number (OS)	WS	SS	XS
1	Safety Cap	AI-S-308		N/A <sup>2</sup>
1	Safety Cap O-Ring	AI-S-309		N/A <sup>2</sup>
2	Protective Cap	AI-306	-SS	-4-SS
3	Valve Cap	AI-S-303		
4	Valve Core	AI-S-304		
5	GT Gas Valve	AI-GT3-309		
5	Gas Valve O-Ring	AI-GT3-311		
6	Bladder Kit <sup>3</sup>			
	Buna-Nitrile	AI-X-3KT	-SS	-SS
	Butyl	AI-X-3KT-B	-SS	-SS
	EPR	AI-X-3KT-E	-SS	-SS
	Fluorocarbon	AI-X-3KT-V	-SS	-SS
	Hydrin	AI-X-3KT-H	-SS	-SS
	Low Temp Buna	AI-X-3KT-L	-SS	-SS
7	Hex Jam Nut	AI-S-305	-SS	-SS
8	Top Load Adapter	AI-TR3-208	-WS	-SS
9	Standard Locknut	AI-S-403	-WS	-SS
10	Standard Spacer	AI-S3-406	-WS	-SS
11	Standard Anti-Extrusion Ring	AI-S-407	-WS	-WS
12	Hi-Flow Anti-Extrusion Ring	AI-HF-407	-WS	-WS
13	Hi-Flow Spacer	AI-HF-406	-WS	-SS
14	Hi-Flow Locknut	AI-H-403	-WS	-WS
15	Bleed Plug 1/4" NPT	AI-S-418	-SS	-SS
16	Oil Port 4"-8 NPT Male			
	No Bleed Plug	AI-HF-402	-WS	-SS
	1/4" NPT Bleed Plug	AI-HF-402-9	-WS	-SS
	4 1/4" SAE	AI-HF-402-3	-WS	-SS
17	Belleville Washers, Qty. 4	AI-H-416		
18	Cotter Pin	AI-H-421		
19	Castle Nut	AI-H-408		
20	Washers	AI-H-417		
21	Poppet	AI-H-404	-SS	-SS
22	Spring	AI-H-409	-SS	-SS
23	Teflon Back-Up Ring, Qty 2	AI-H-411		
24	O-Ring	AI-H-410		
25	Shell (3000 psi)	Not For Sale	N/A	N/A
26	Caution Label	AI-S-421		

### Standard Configuration

SA 372 Chrome-moly Steel Shell  
2 Piece Replacement Gas Valve  
C-1018 and 4130 or 4140 Components  
4" NPT Female Fluid Port  
Buna-Nitrile Rubber Components

### Optional Configuration (at extra cost)

AN Gas Valve  
Resin Coatings, Internal (WS)  
Electroless Nickel Plating, Internal & External (SS)  
Resin Coating – ID, 3 Part Marine Epoxy Paint – OD (XS)  
Stainless Steel Components  
Foreign and Domestic Codes  
Call Factory for Other Options

Dimensions <sup>4</sup>		
Part Number	Length	Weight
A2.5HT3100	24"	80 lbs
A5HT3100	36"	120 lbs
A10HT3100	57"	216 lbs
A11HT3100	63"	232 lbs
A15HT3100	81"	298 lbs

<sup>1</sup> OS-Oil Service, WS- Water Service, SS-Special Service, XS-Extreme Service

<sup>2</sup> Special service accumulator uses a solid protective cap

<sup>3</sup> Insert the size of the accumulator for X, i.e. AI-2.5-3KT for a 2.5 gallon bladder kit. Bladder kit consists of the following parts: 3, 4, 5, 6, 23, and 24

<sup>4</sup> Nominal dimensions. Manufacturing variations will occur. Allow +/-2".